

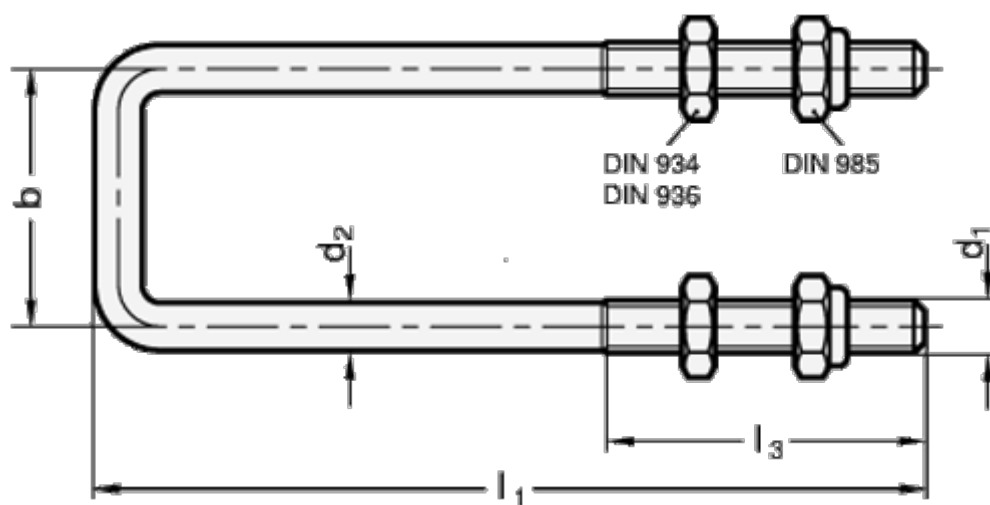
Data Sheet



Article number: 209512M1255151ST

Description: E+G Pulling latches for clamps GN 852
GN 951.2-M12-55-151-ST

Measures



b = 55
d1 = M12
d2 = 10.8
l1 = 151
l3 = 60.0